

Sunnex MHD



Sunnex MHD is the result of a market demand and a close cooperation with our valued customers. A compact design with convenient mounting solution and long life duration. Sunnex MHD is a cost effective mount incorporating our legacy with excellent anti-vibration and precise levelling performance.

Sunnex MHD consists of an impact resistant chassis with an integrated special nitrile rubber mixture. Consistent force distribution via our robust and integrated pressure plate.

Designed to deliver outstanding characteristics for stabilization and damping of vertical as well as horizontal forces. Exceptional for medium heavy and heavy fast speed machines.

Preferences

- Loads up to 5500 kg, per machine mount
- Cast iron
- Special Nitrile rubber mixture
- Integrated galvanized bolt with precision levelling.
- Galvanized pressure plate for great shock absorption.

Applications

- Manufacturing industry
- Process industry
- Press- & stamping machines
- Extrusion machines
- Medium to heavy duty machines

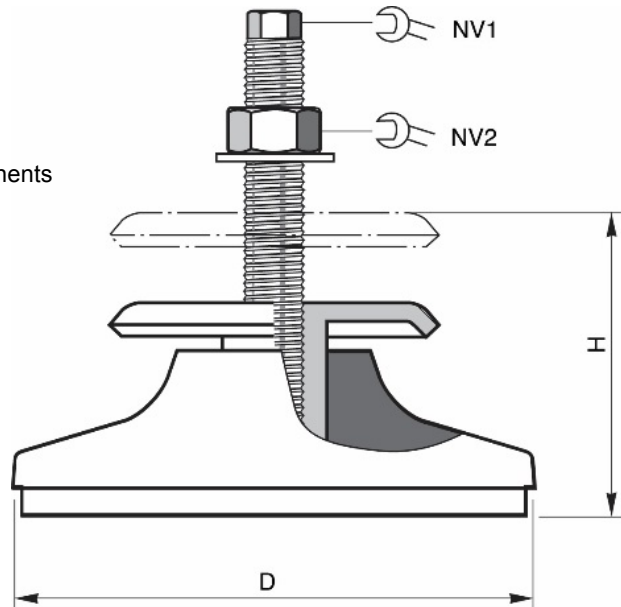
Advantages

- Excellent anti-vibration
- Excellent levelling
- Excellent friction to surface
- Reduction of noise



Technical specification MHD

Rubber:	Special Nitrile rubber mixture
Finish:	Painted with galvanized components
Load capacity:	500-5500 kg
Diameter, D:	140-240 mm
Height, H:	60-107 mm
Key grip 1, NV1:	12-17 mm
Key grip 2, NV2:	24-36 mm



Model	Load range daN (kg)	D mm	H mm	Levelling bolt	NV1 mm	NV2 mm	Part No.
MHD 130	500-1500	140	60-78	M16 x 1,5 x 150	12	24	48003
MHD 165	900-2700	174	60-84	M20 x 1,5 x 150	15	30	48006
MHD 190	1500-4000	198	60-84	M20 x 1,5 x 150	15	30	48009
MHD 240	2300-5500	245	80-107	M24 x 2,0 x 150	17	36	48012