

# Sunnex AM



Sunnex AM is the original machine mount with excellent anti-vibration and levelling performance. Designed for a versatile and professional use within industrial and production applications. Proven quality and effective vibration damping with great noise reduction properties.

Sunnex AM mounts are available in stainless steel or zinc plated finish. The stainless steel mount is designed to meet the specific requirements imposed in humid, wet or corrosive environments within the process

The built in levelling bolt allows the Sunnex AM to be vertically adjusted with considerable accuracy, allowing a 7° inclination while still retaining full stability.

## Preferences

- Loads up to 2000 kg, per machine mount
- Stainless or zinc plated finish
- Special Nitrile rubber mixture
- Integrated bolt with precision levelling
- Perfect for sloping surfaces

## Applications

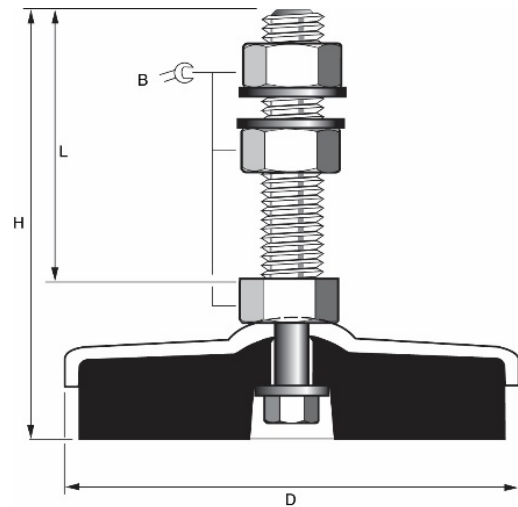
- Manufacturing industry
- Process industry
- Food, drink and pharmaceutical
- Conveyor belts
- Light & medium duty machines

## Advantages

- Excellent anti-vibration
- Excellent levelling
- Excellent for sloping surface
- Reduction of noise

## Technical specification AM

Rubber:	Special Nitrile rubber
Finish:	Stainless or Zinc plated
Load capacity:	50-2000 kg
Diameter, D:	68-150 mm
Height, H:	100-202 mm
Length, L:	100-150 mm
Key grip, B:	17-36 mm
Inclination:	0-7 degrees



Load range daN (kg)	D mm	L mm	H mm	Levelling bolt	B mm	Part no. Stainless	Part no. Zink plated
50-150	68	100	125	M10 x 1,50	17	<b>10521</b>	<b>10525</b>
			146	M12 x 1,75	19	<b>10523</b>	<b>10553</b>
			148	M16 x 2,00	24	<b>10545</b>	<b>10555</b>
			151	M20 x 2,50	30	<b>10547</b>	<b>10557</b>
100-250	68	100	125	M10 x 1,50	17	<b>10522</b>	<b>10526</b>
			146	M12 x 1,75	19	<b>10524</b>	<b>10554</b>
			148	M16 x 2,00	24	<b>10546</b>	<b>10556</b>
			151	M20 x 2,50	30	<b>10548</b>	<b>10558</b>
50-500	98	120	158	M12 x 1,75	19	<b>10531</b>	<b>10535</b>
			158	M16 x 2,00	24	<b>10533</b>	<b>10538</b>
			158	M20 x 2,50	30	<b>10565</b>	<b>10575</b>
		150	191	M24 x 3,00	36	<b>10567</b>	<b>10577</b>
450-1000	98	120	158	M12 x 1,75	19	<b>10532</b>	<b>10536</b>
			158	M16 x 2,00	24	<b>10534</b>	<b>10539</b>
			158	M20 x 2,50	30	<b>10566</b>	<b>10576</b>
		150	191	M24 x 3,00	36	<b>10568</b>	<b>10578</b>
900-1500	140	120	169	M12 x 1,75	19	<b>10620</b>	<b>10640</b>
			169	M16 x 2,00	24	<b>10621</b>	<b>10641</b>
			169	M20 x 2,50	30	<b>10622</b>	<b>10642</b>
		150	202	M24 x 3,00	36	<b>10623</b>	<b>10643</b>
1400-2000	140	120	169	M12 x 1,75	19	<b>10630</b>	<b>10650</b>
			169	M16 x 2,00	24	<b>10631</b>	<b>10651</b>
			169	M20 x 2,50	30	<b>10632</b>	<b>10652</b>
		150	202	M24 x 3,00	36	<b>10633</b>	<b>10653</b>