

Sunnex LL



Sunnex LL is a machine mount that is specially designed to provide stable levelling and great versatility for use with all sorts of industry and office/warehouse equipment.

Sunnex LL consists of a galvanized levelling screw with an articulated foot that allows inclinations of up to 10°

The underside of the mount is coated with a thin friction mat of specially treated nitrile rubber that provides a stable installation with an accurate friction to the surface.

Preferences

- Loads up to 2000 kg, per machine mount
- Galvanized
- Special Nitrile rubber mixture
- Integrated galvanized bolt with precision levelling.
- Inclinations up to 10°

Applications

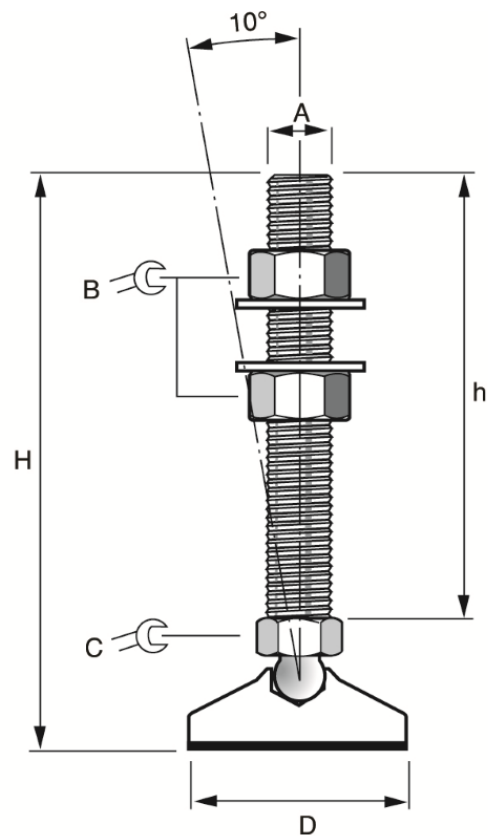
- Engineering machinery
- Warehouse equipment
- Office equipment
- Home appliances
- Light to medium duty machines

Advantages

- Excellent levelling
- Excellent friction to surface
- Excellent stability
- Inclination optimization

Technical specification LL

Rubber:	Special Nitrile rubber mixture
Finish:	Galvanized
Load capacity:	1000-2000 kg
Diameter, D:	32-60 mm
Height, H:	105-110 mm
Height, h:	75-80 mm
Key grip, B:	19-22 mm
Key grip, C:	14-16 mm
Bolt size, A:	M12-M14
Inclination:	0-10 degrees



Model	Max load per machine mount daN (kg)	D mm	H mm	h mm	B mm	C mm	A mm	Part no.
LL 10	1000	32	105	75	19	14	M 12	50001
LL 12	1200	45	105	75	19	14	M 12	50002
LL 20	2000	60	110	80	22	16	M 14	50003